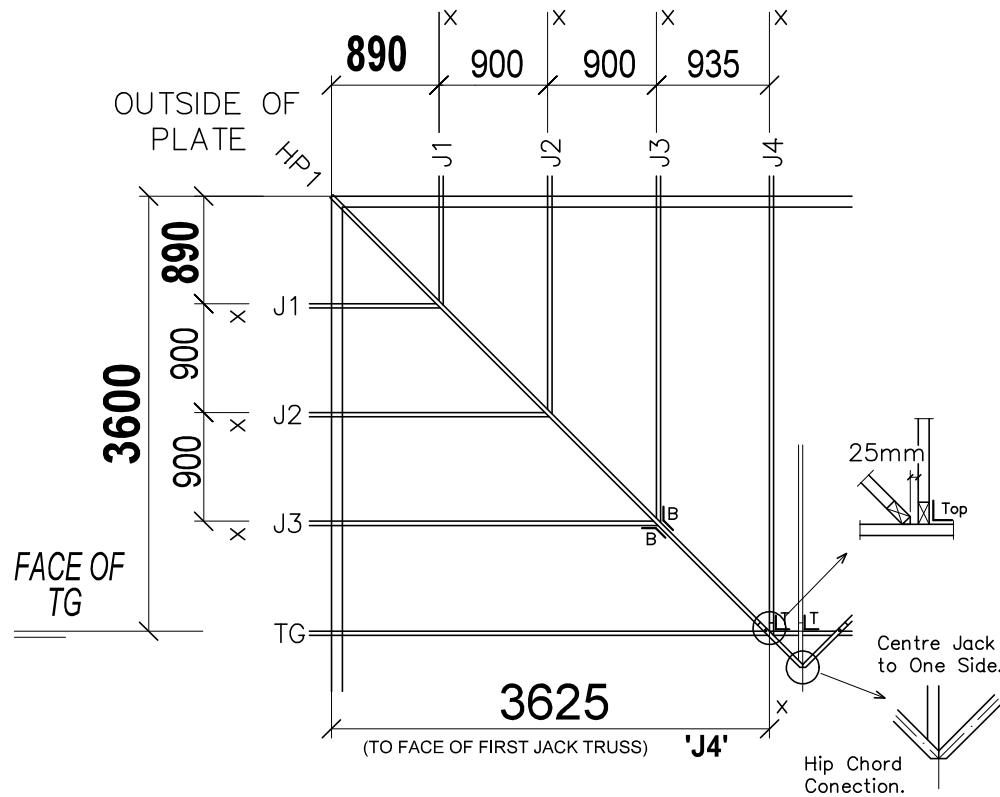


'Jack Truss' SET-OUT

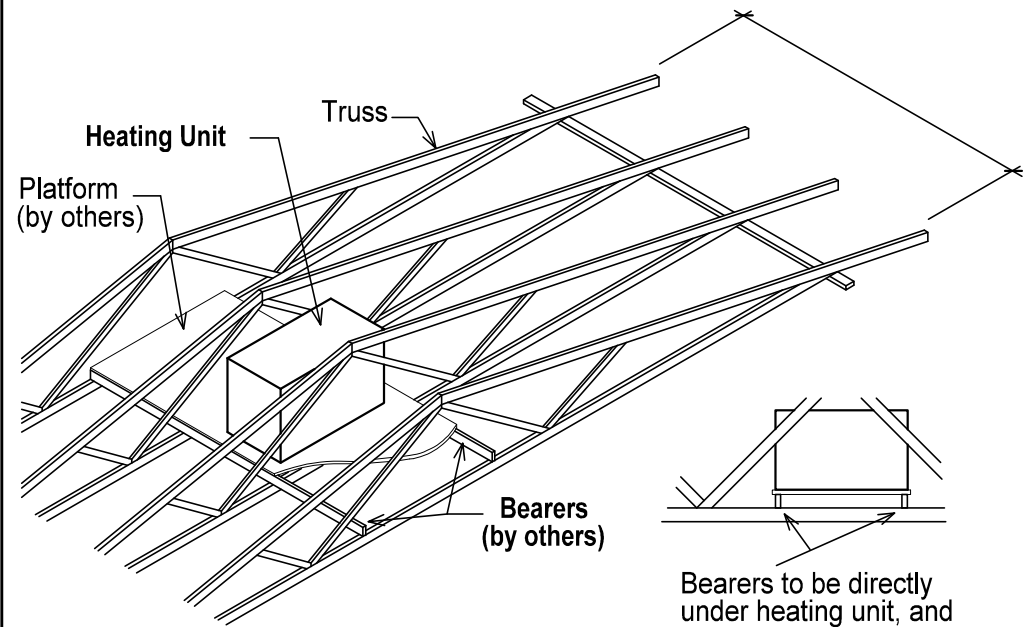


Fix Jack Trusses (J3, J4 Etc)
with 1/Triple Grip to Hip Truss
and Truncated Girder Truss.
(SEE ABOVE)

900 TRUSS CENTRES

Heating Unit Details

Heating unit platform to span over 4 trusses via bearers, as shown.
See truss layout for location.



PRECISE PREFABS

(VIC) PTY LTD ACN 005 684 122 / ABN 68 423 945 690

9794 8911

9 NISSAN Drive
DANDENONG. 3175